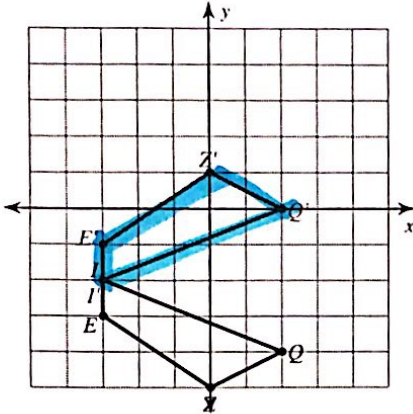


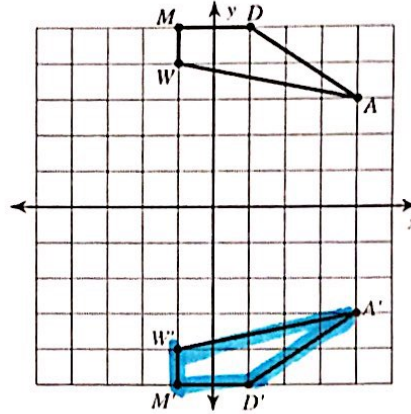
# Reflections

Graph the image of the figure using the transformation given.

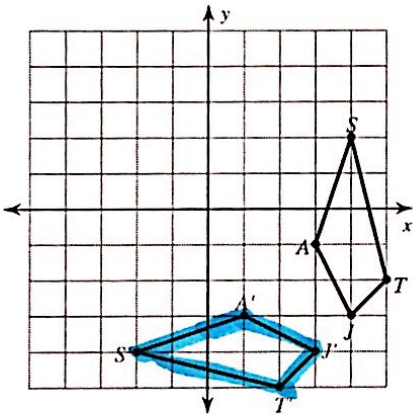
1) reflection across  $y = -2$



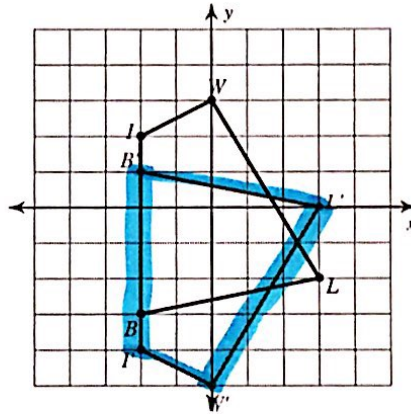
2) reflection across the x-axis



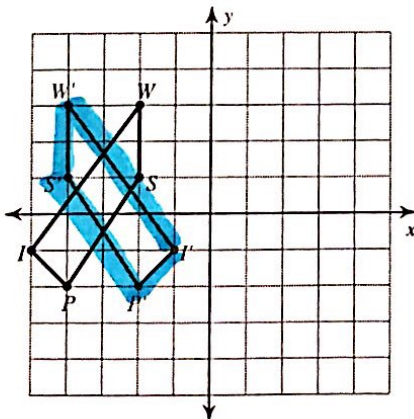
3) reflection across  $y = -x$



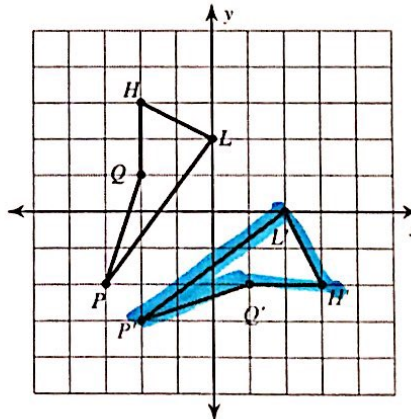
4) reflection across  $y = -1$



5) reflection across  $x = -3$

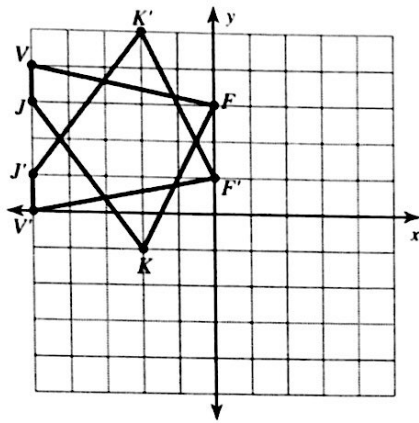


6) reflection across  $y = x$



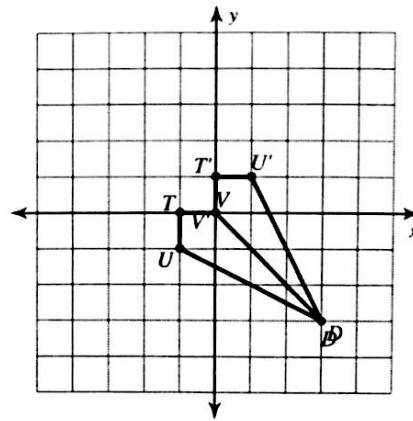
Write a rule to describe each transformation.

7)



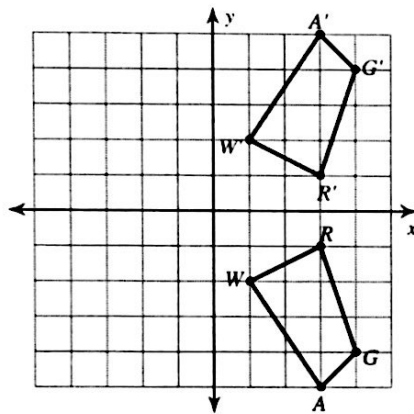
reflection across  $y = 2$

8)



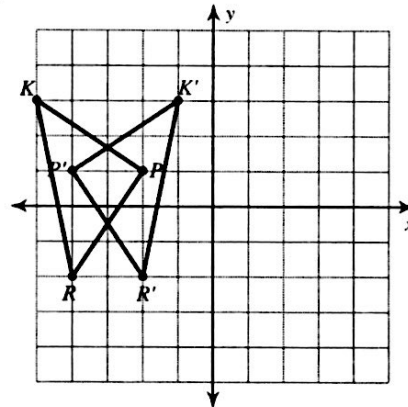
reflection across  $y = -x$

9)



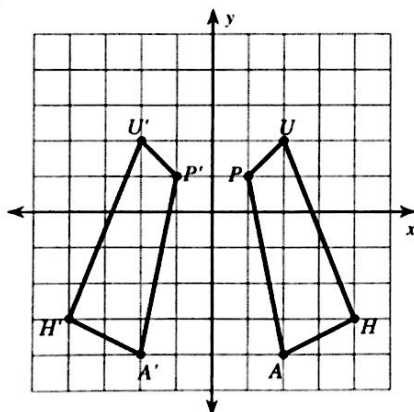
reflection across the  $x$ -axis

10)



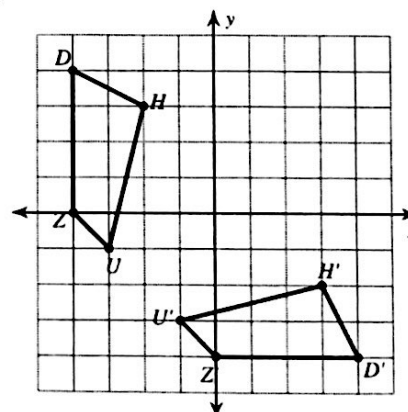
reflection across  $x = -3$

11)



reflection across the  $y$ -axis

12)



reflection across  $y = x$

Create your own worksheets like this one with Infinite Geometry. Free trial available at [KutaSoftware.com](http://KutaSoftware.com)